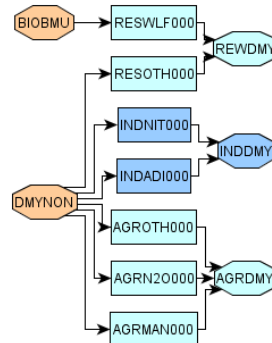


UCL ENERGY INSTITUTE

Visualisation of TIAM and other TIMES/MARKAL Reference Energy Systems

Paul Dodds (UCL)



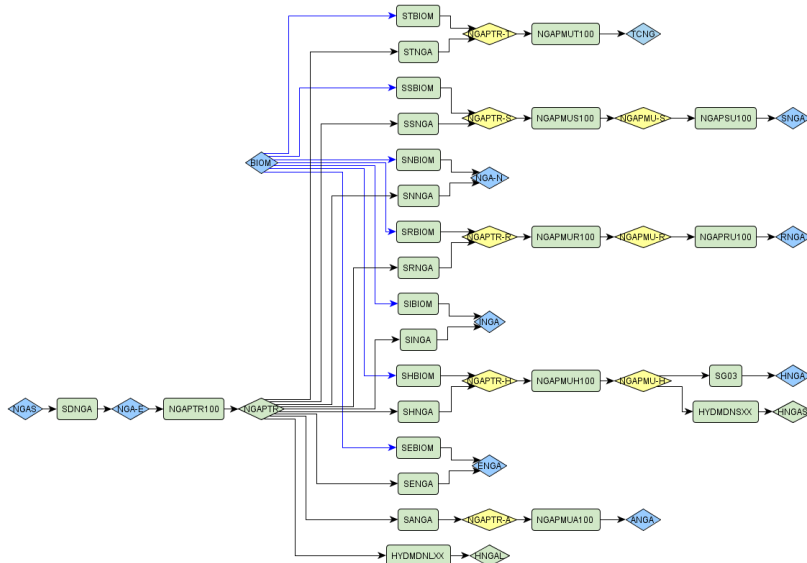
Introduction

- Energy system models are complex, with 1000s of technologies in a typical RES
 - Difficult to understand for new users
 - Even experienced users can introduce errors when making changes
 - Difficult to communicate the model workings to stakeholders
- Current RES visualisations in ANSWER and VEDA show only single technologies at a time
- Aim of this project – to visualise the **whole** RES for any model or part of a model (selecting regions/scenarios etc.)

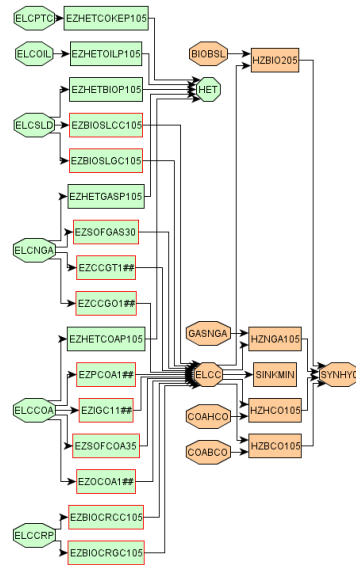
UCL RES visualisation application

- UCL have created an experimental Windows application to automatically extract a RES from MARKAL/TIMES models, in an appropriate format for graphing software
- This data is input into freely-available graphing software which draws and automatically organises the RES
- The RES shapes and colours can be automatically selected according to the scenario/set membership/data etc.

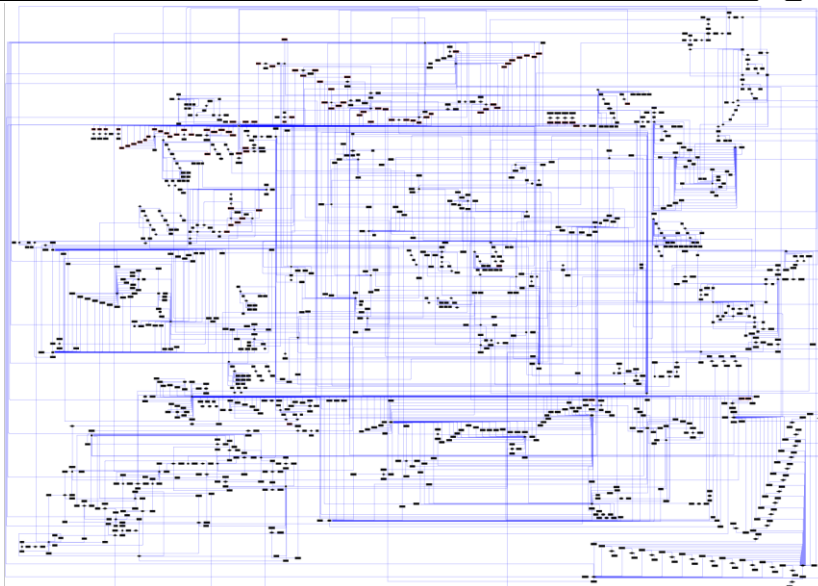
UCL ENERGY
INSTITUTE



UCL ENERGY
INSTITUTE



UCL ENERGY
INSTITUTE



UCL ENERGY
INSTITUTE

